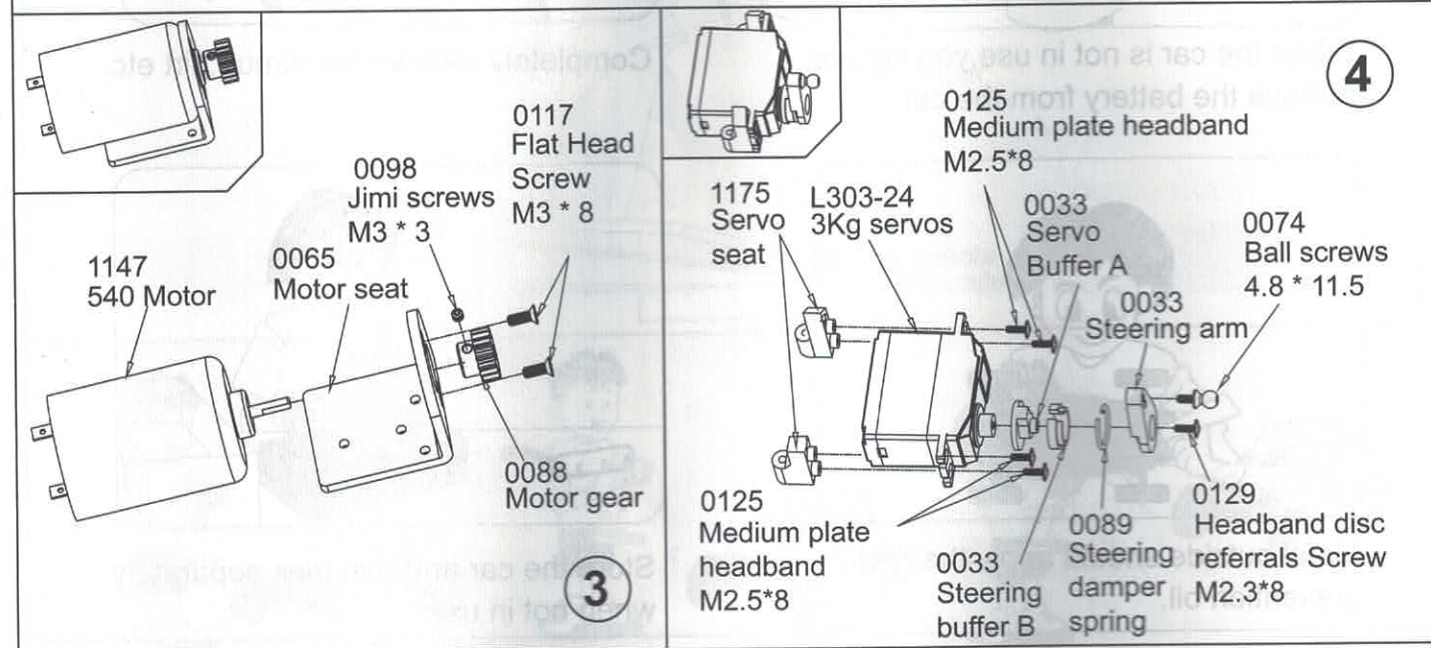
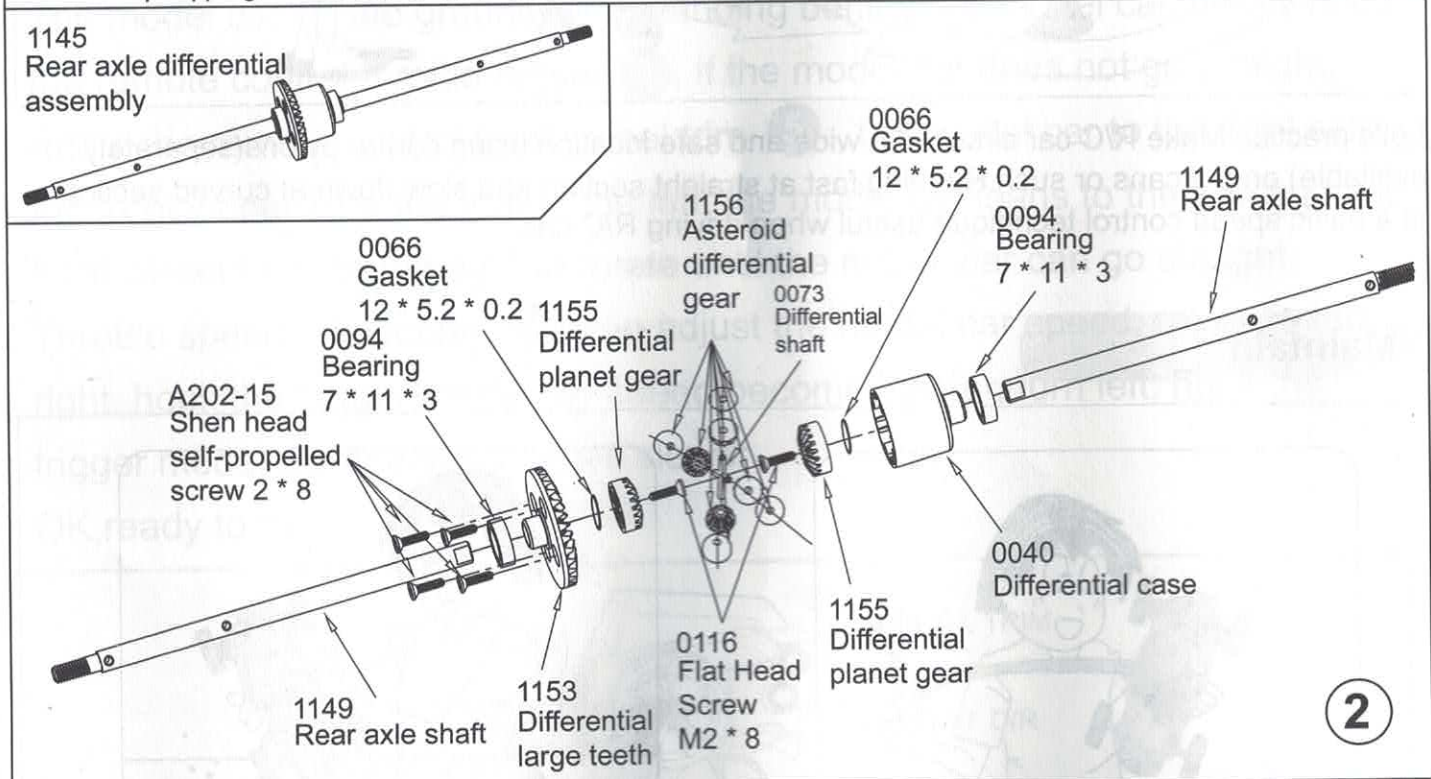
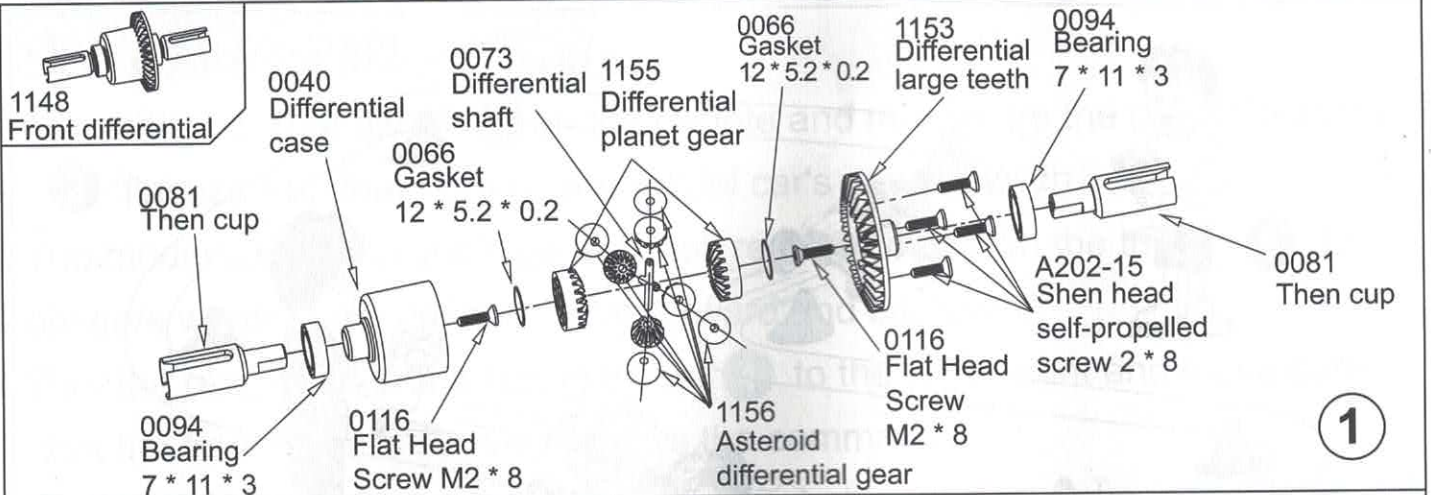
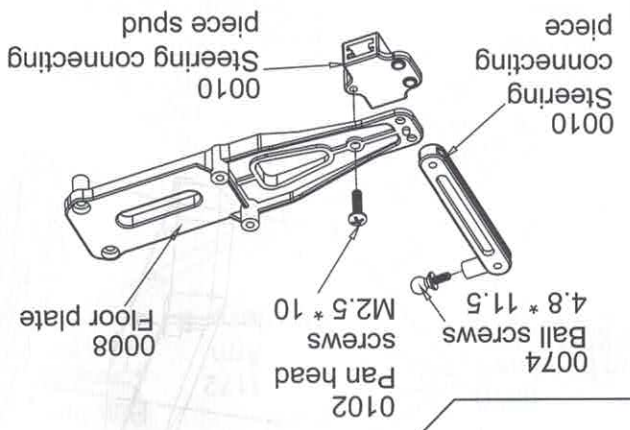
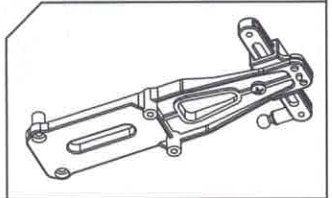




# Assembly Exploded Diagram

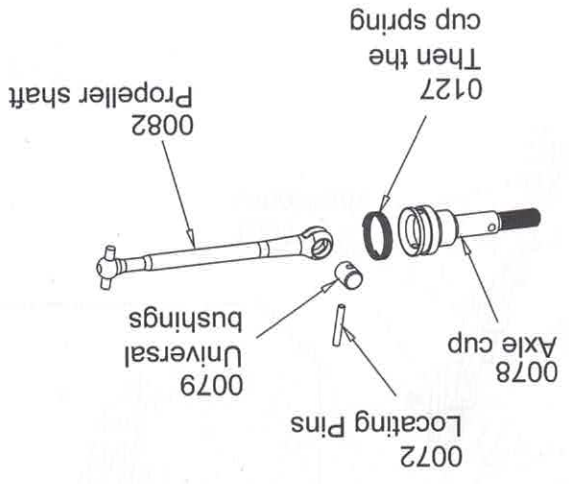




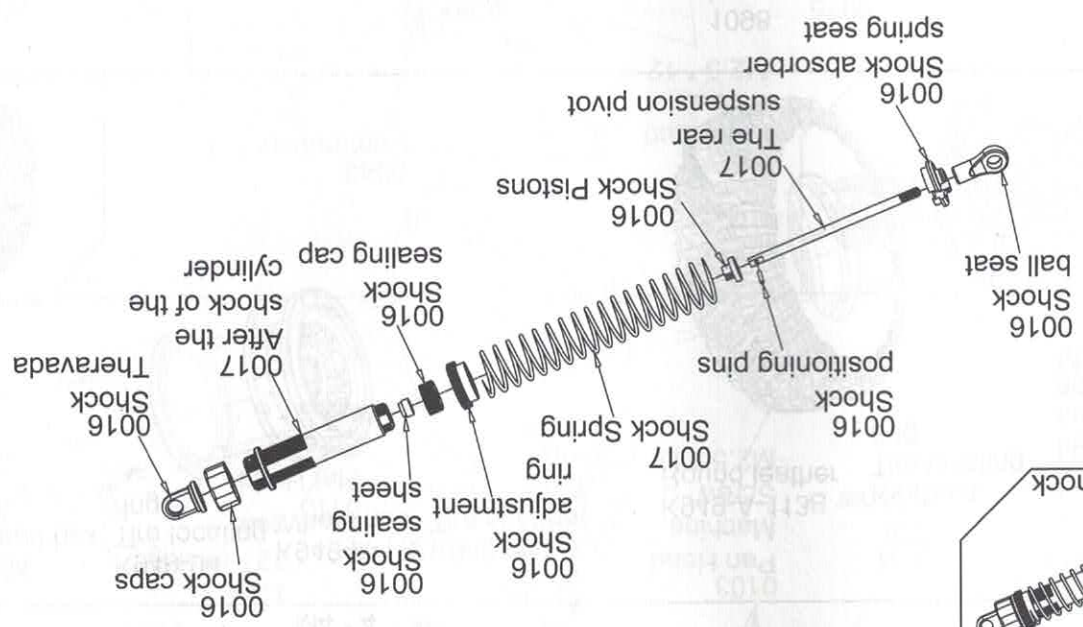
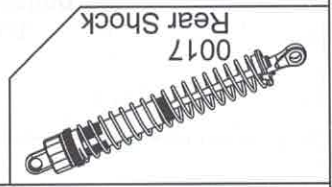
7



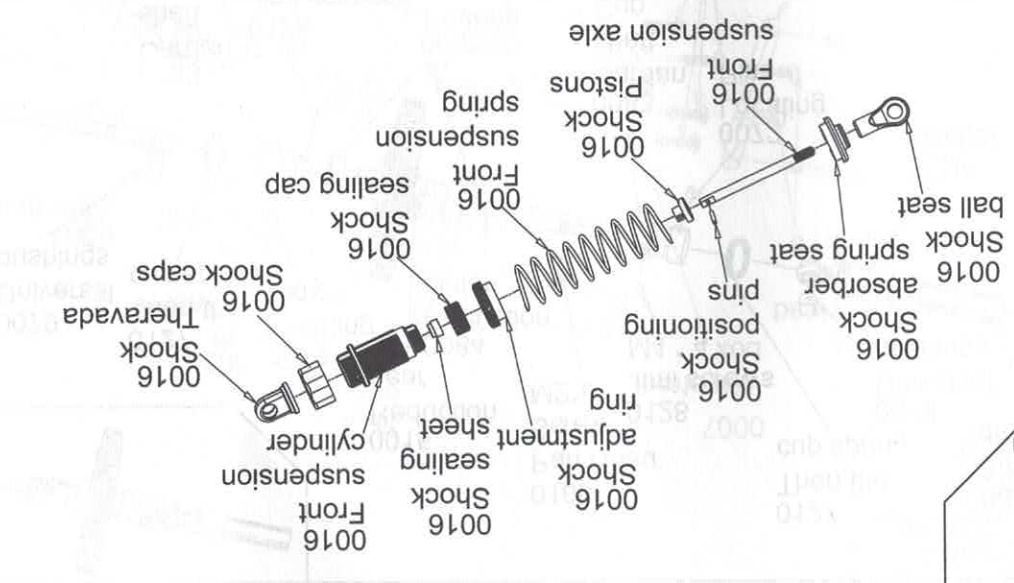
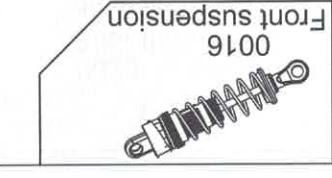
Front-wheel drive shaft 1157



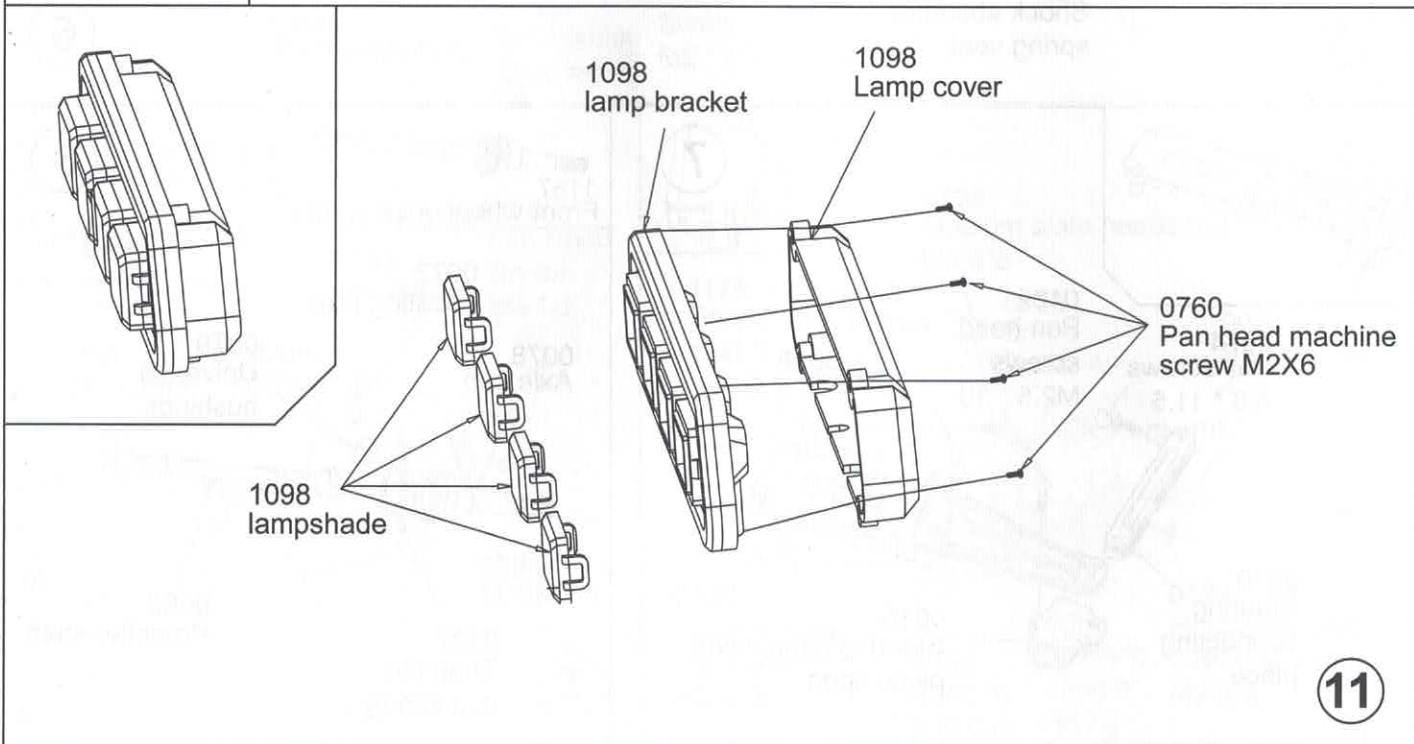
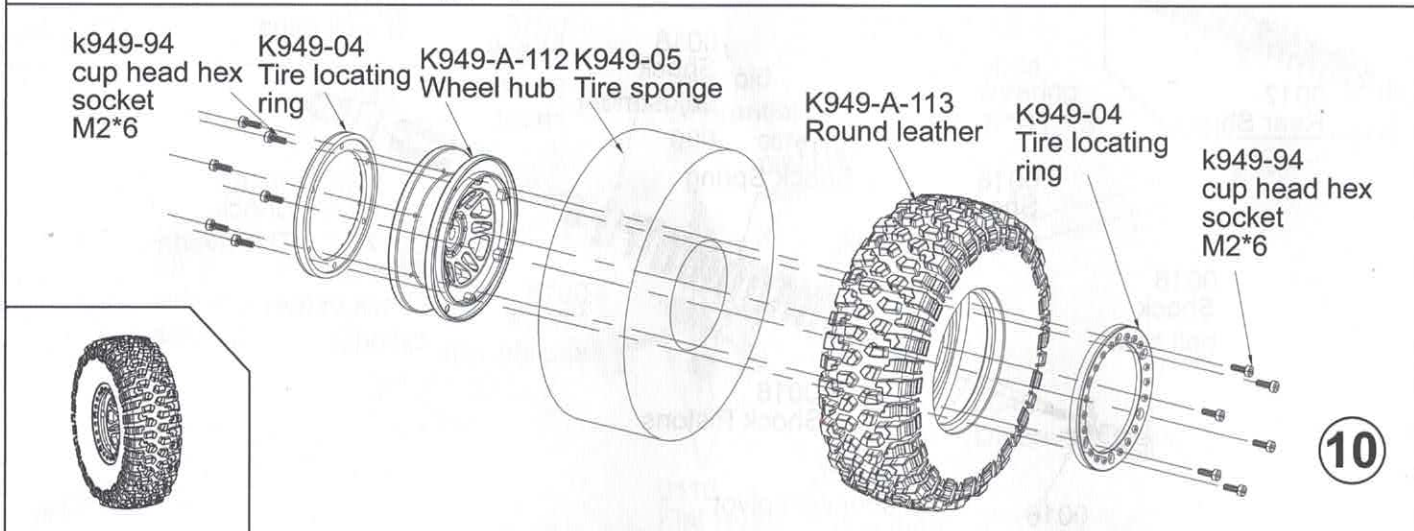
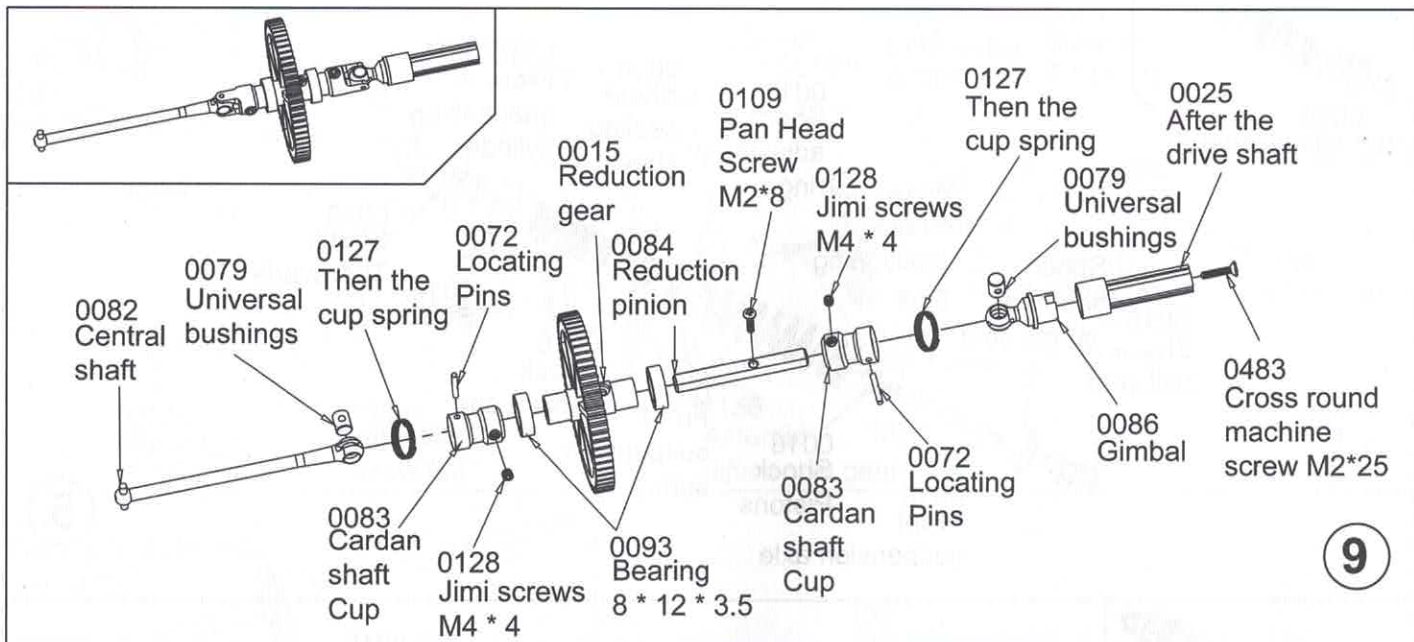
8



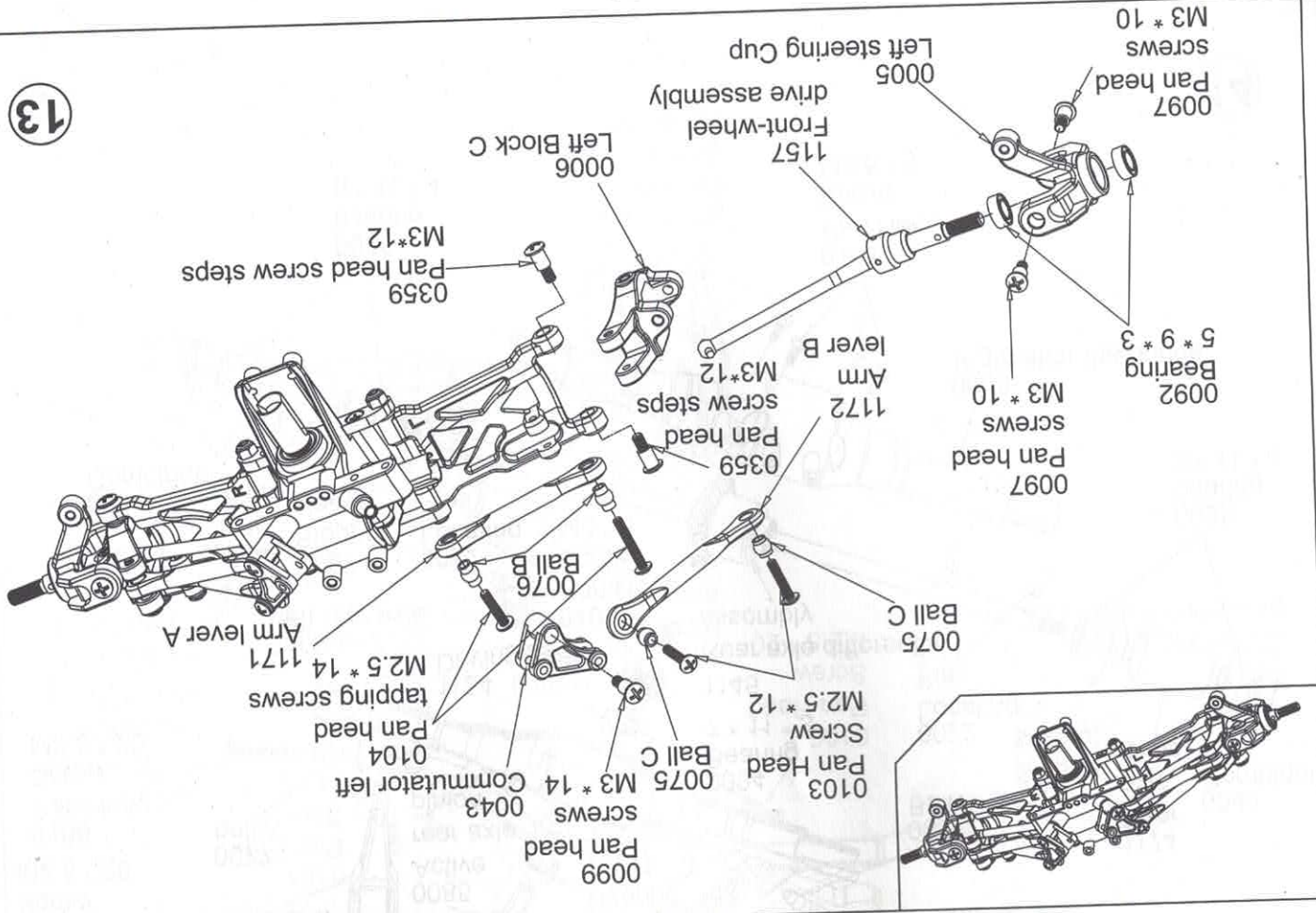
6



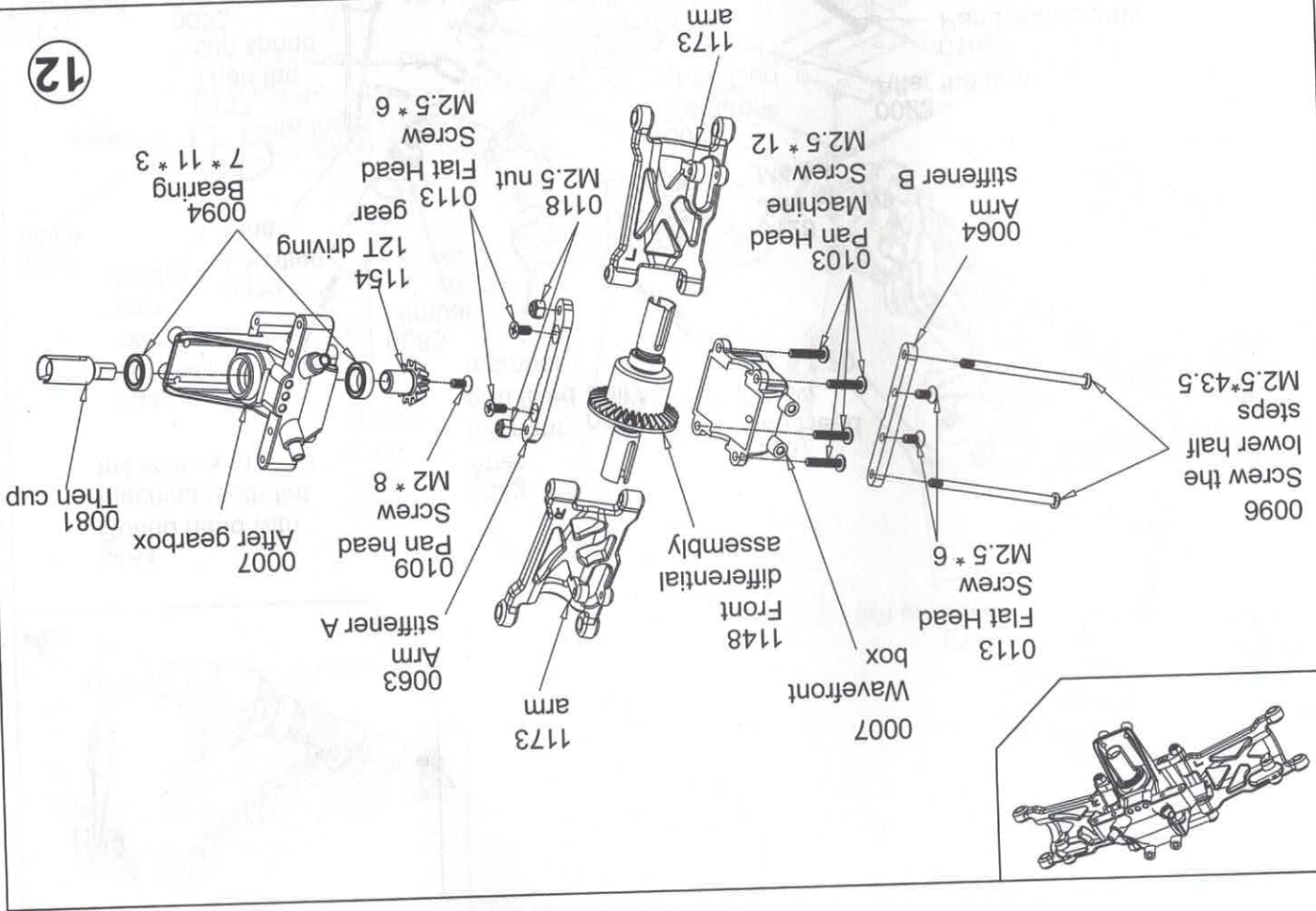
5

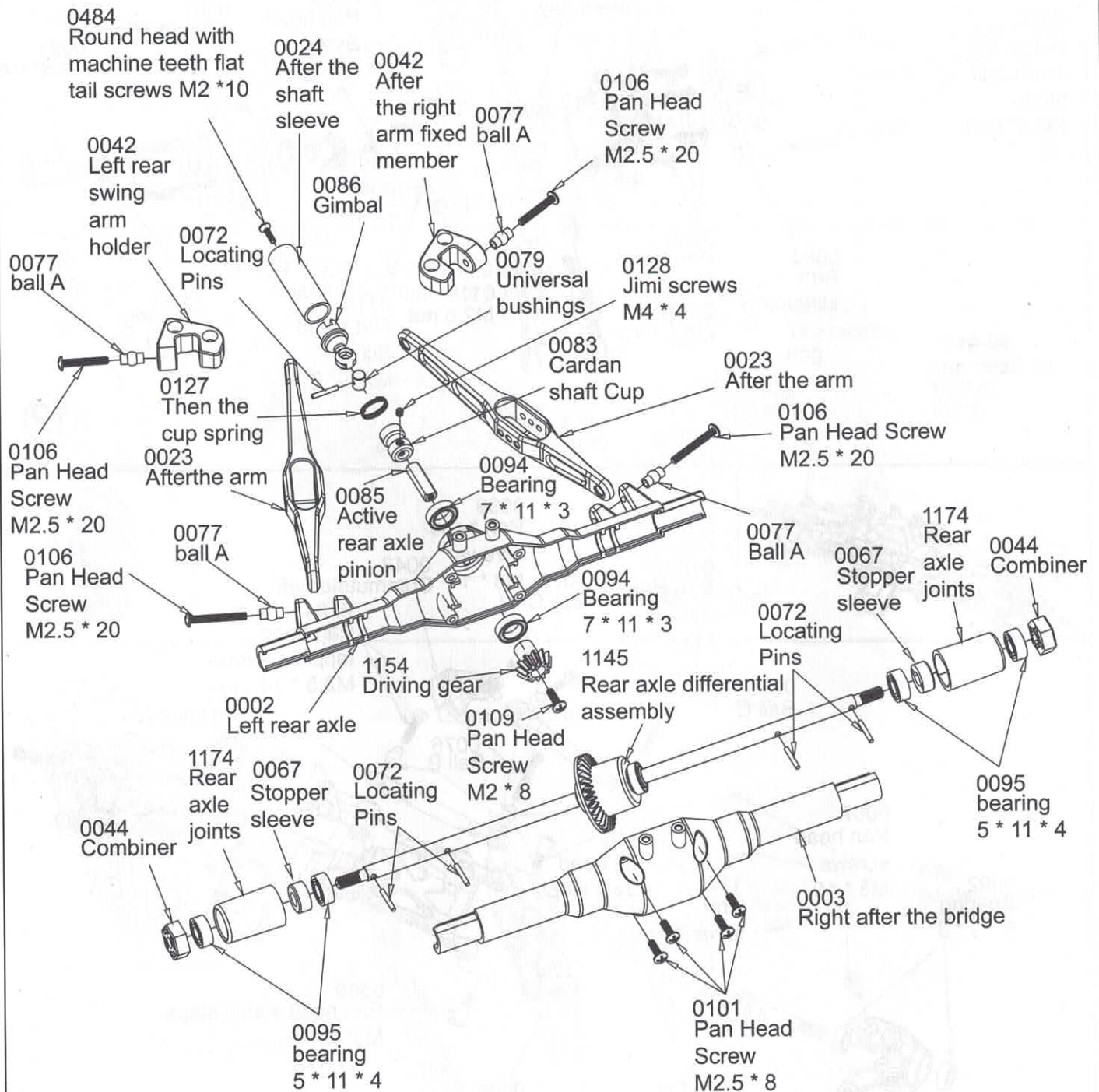
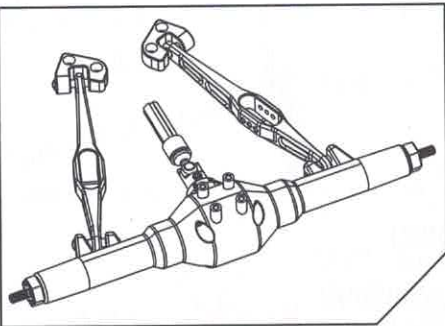


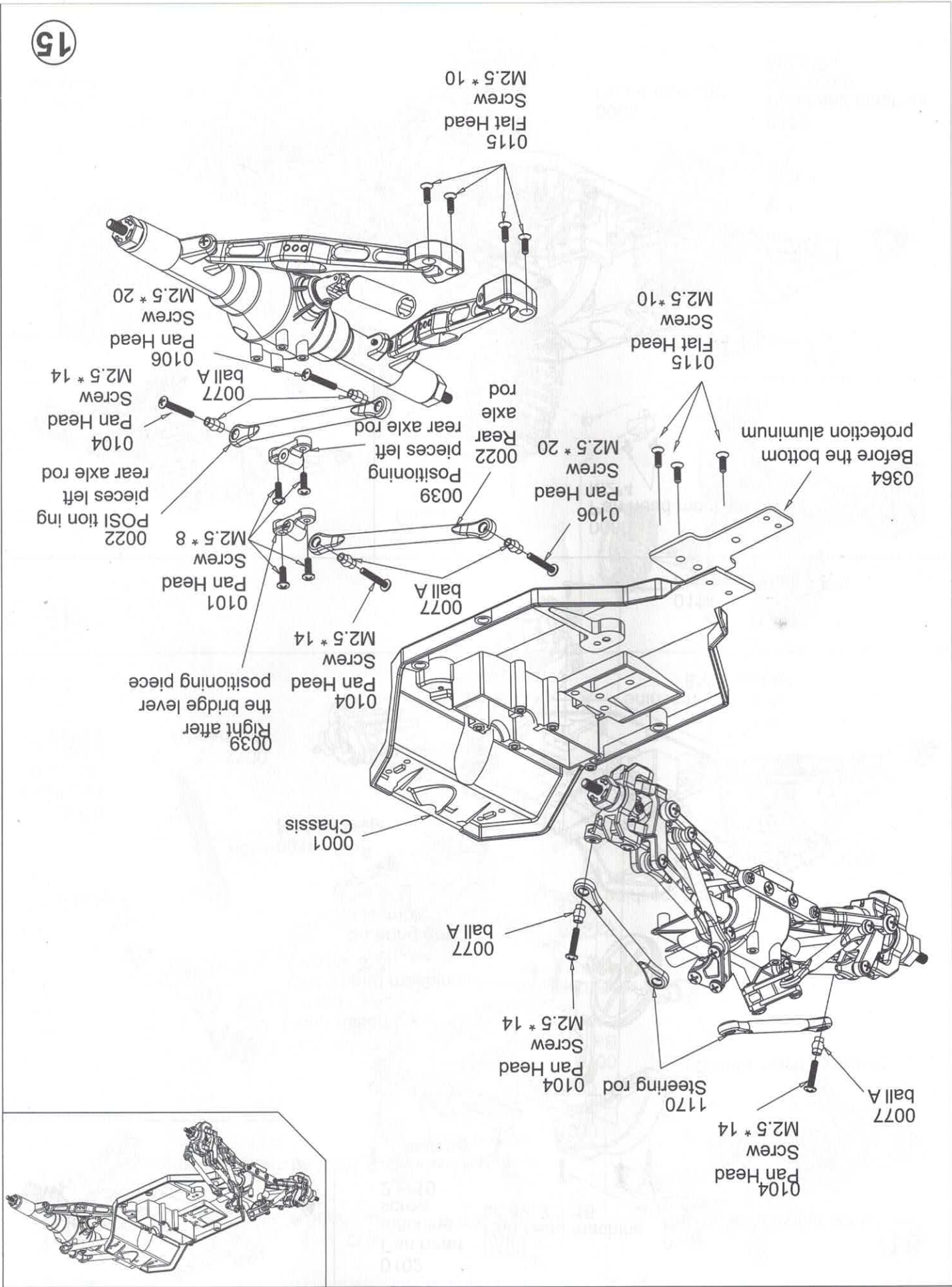
13

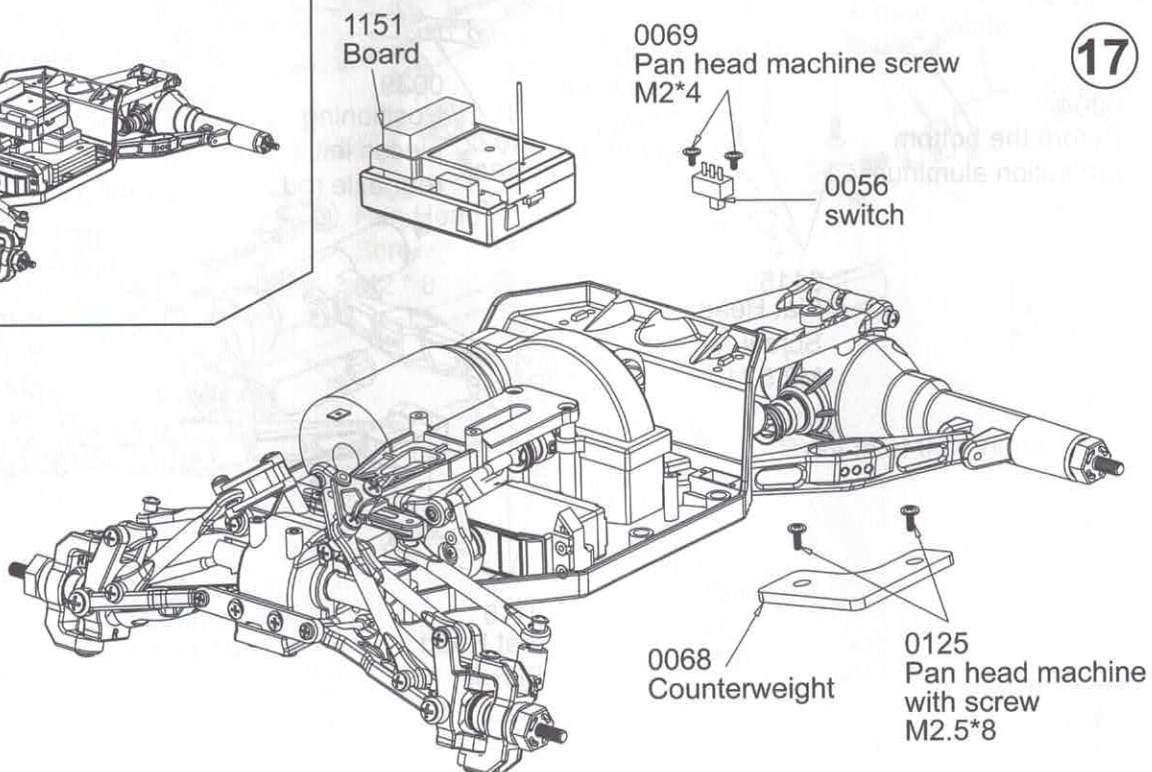
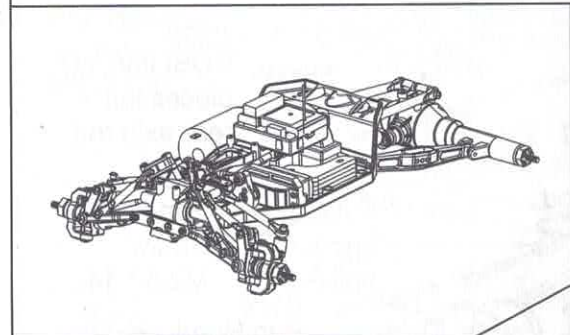
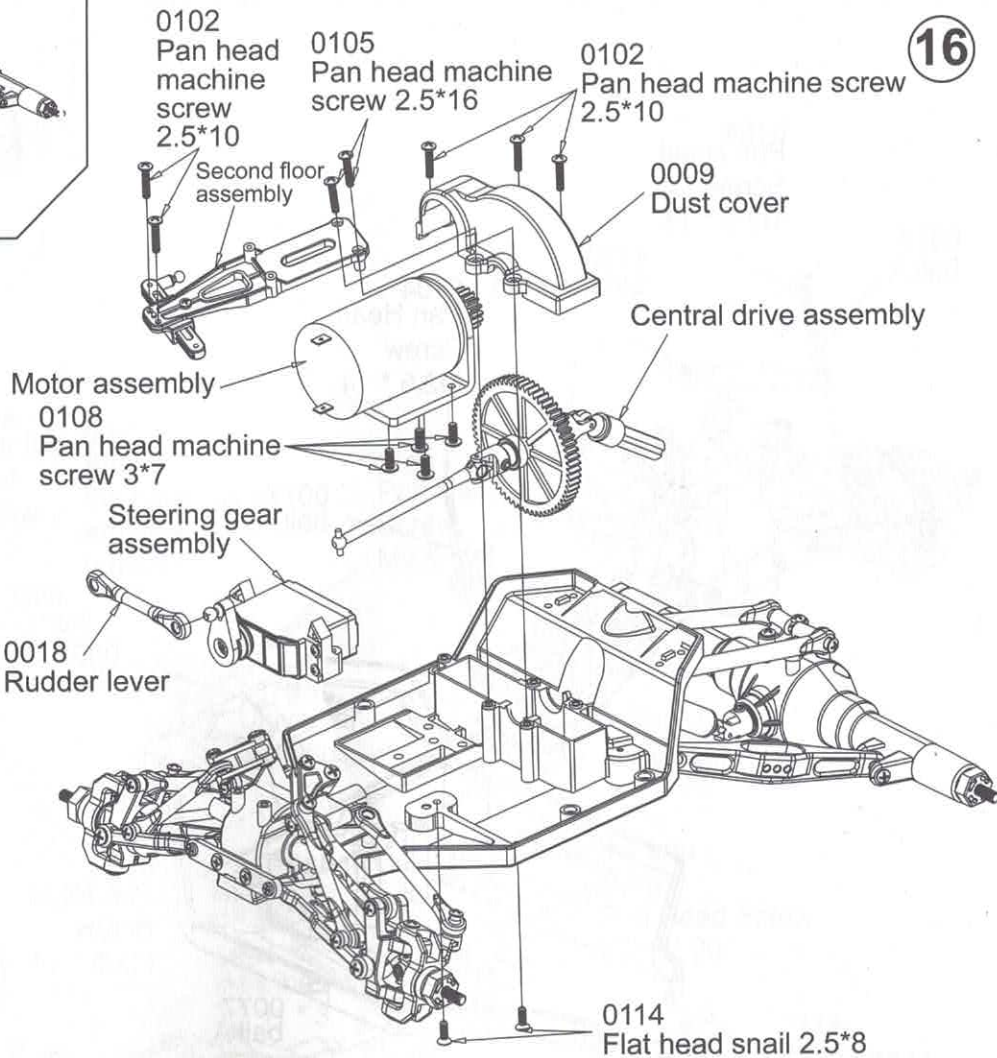
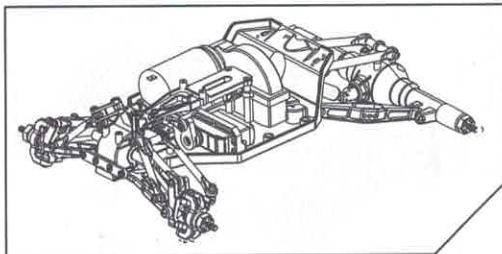


12

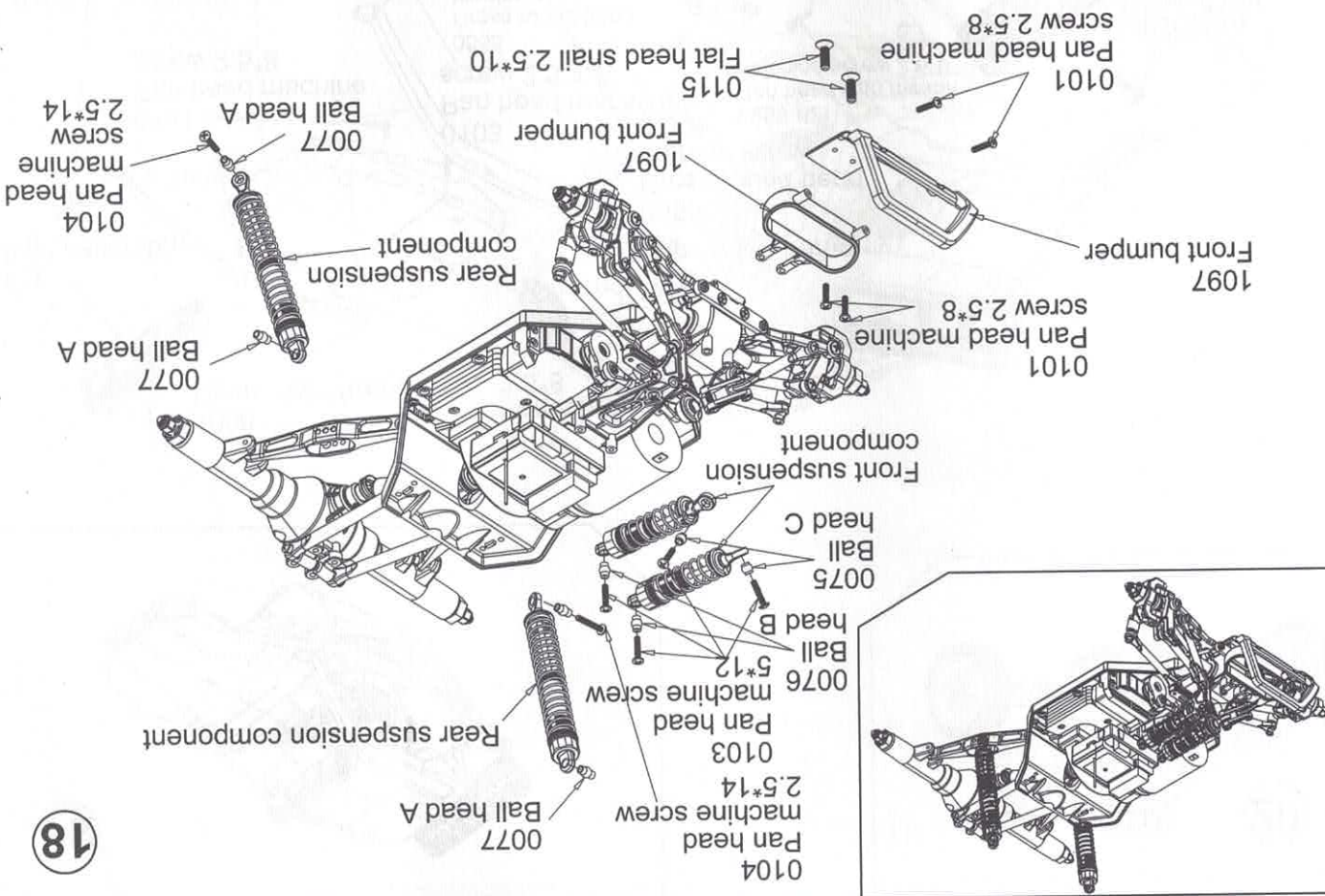
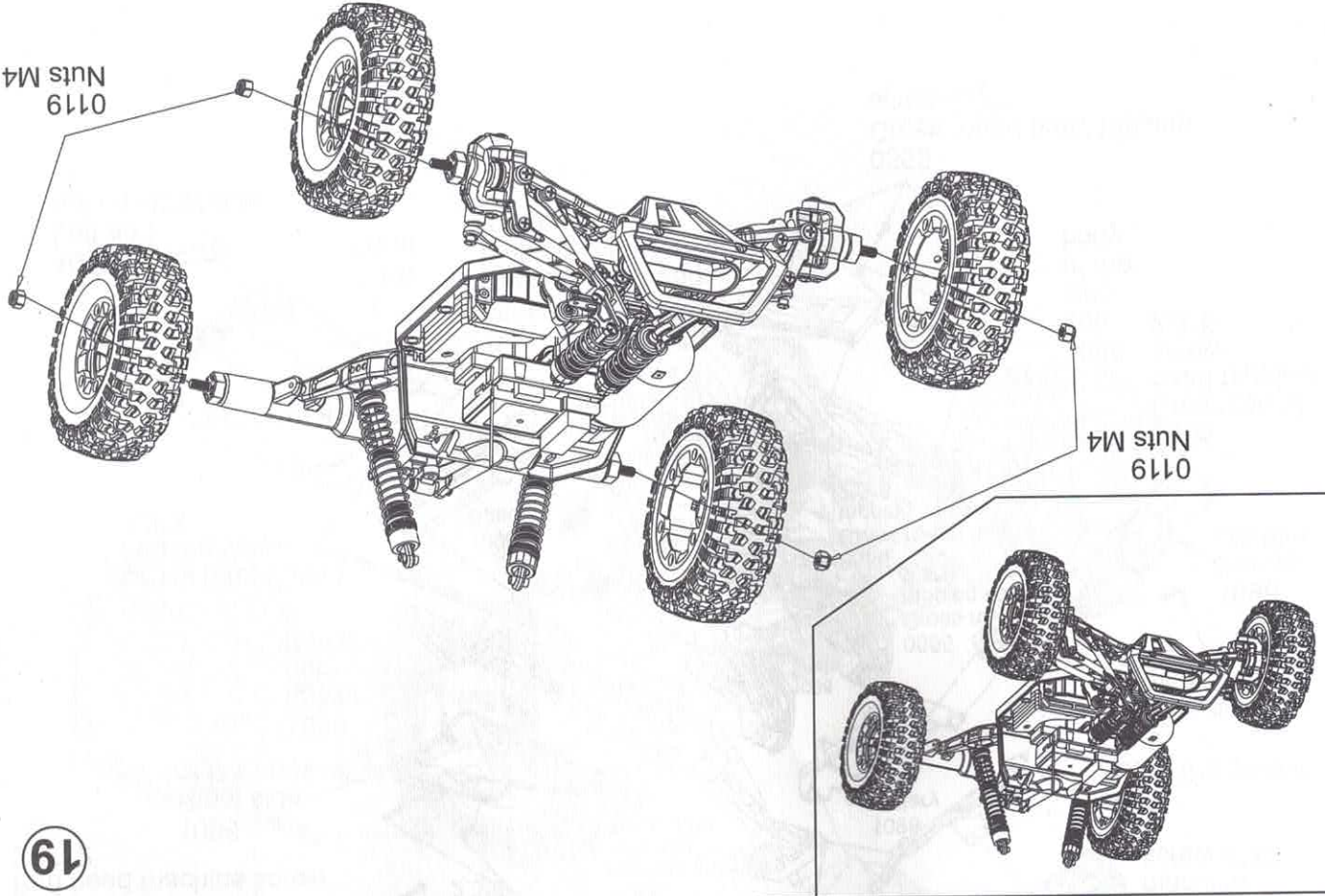


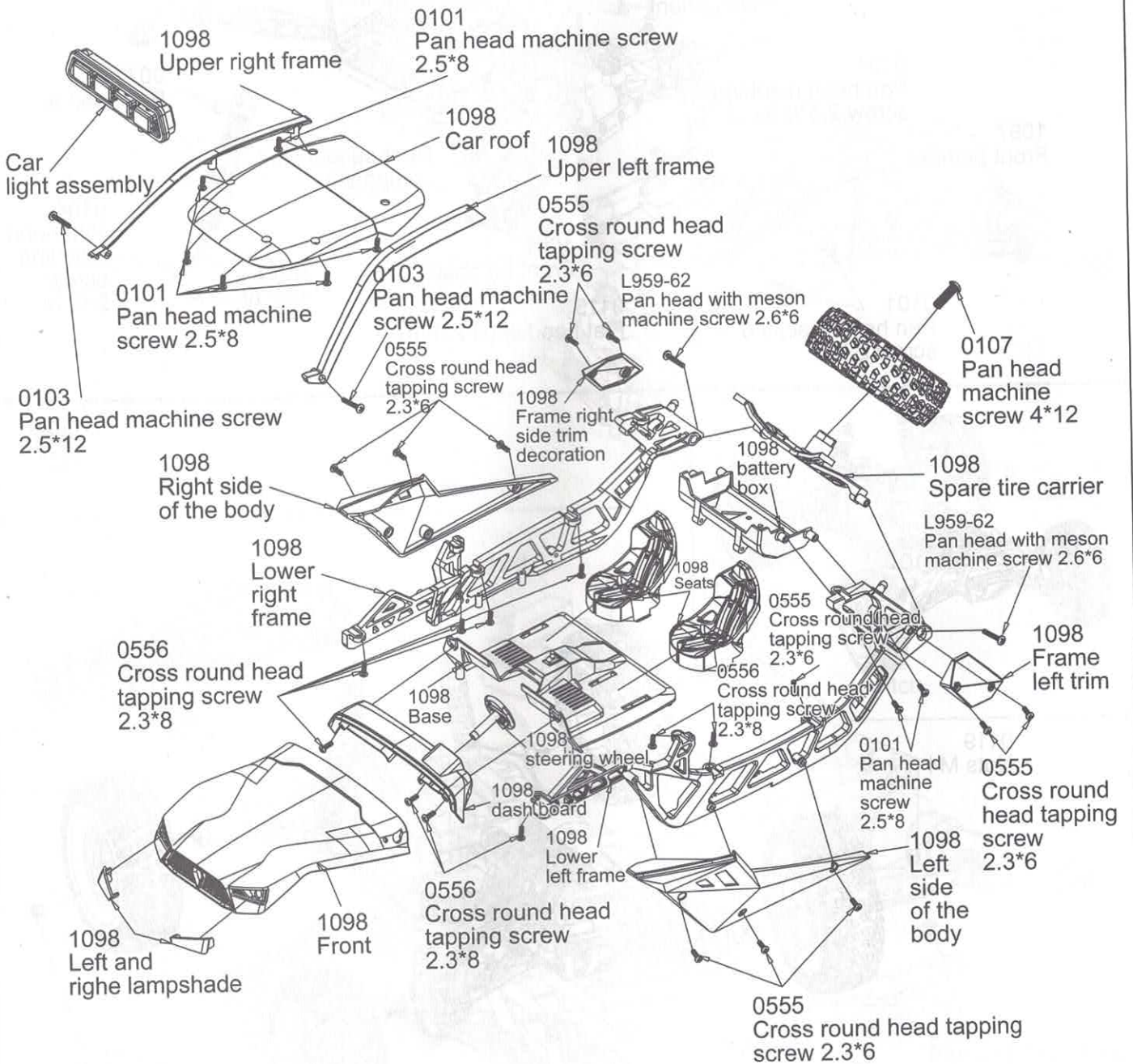
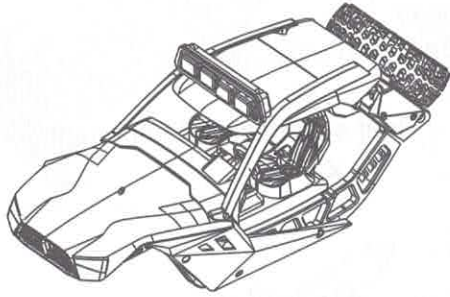


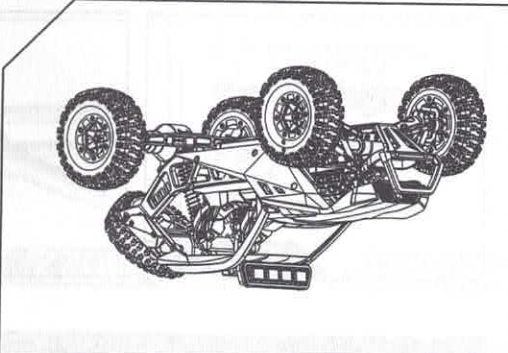
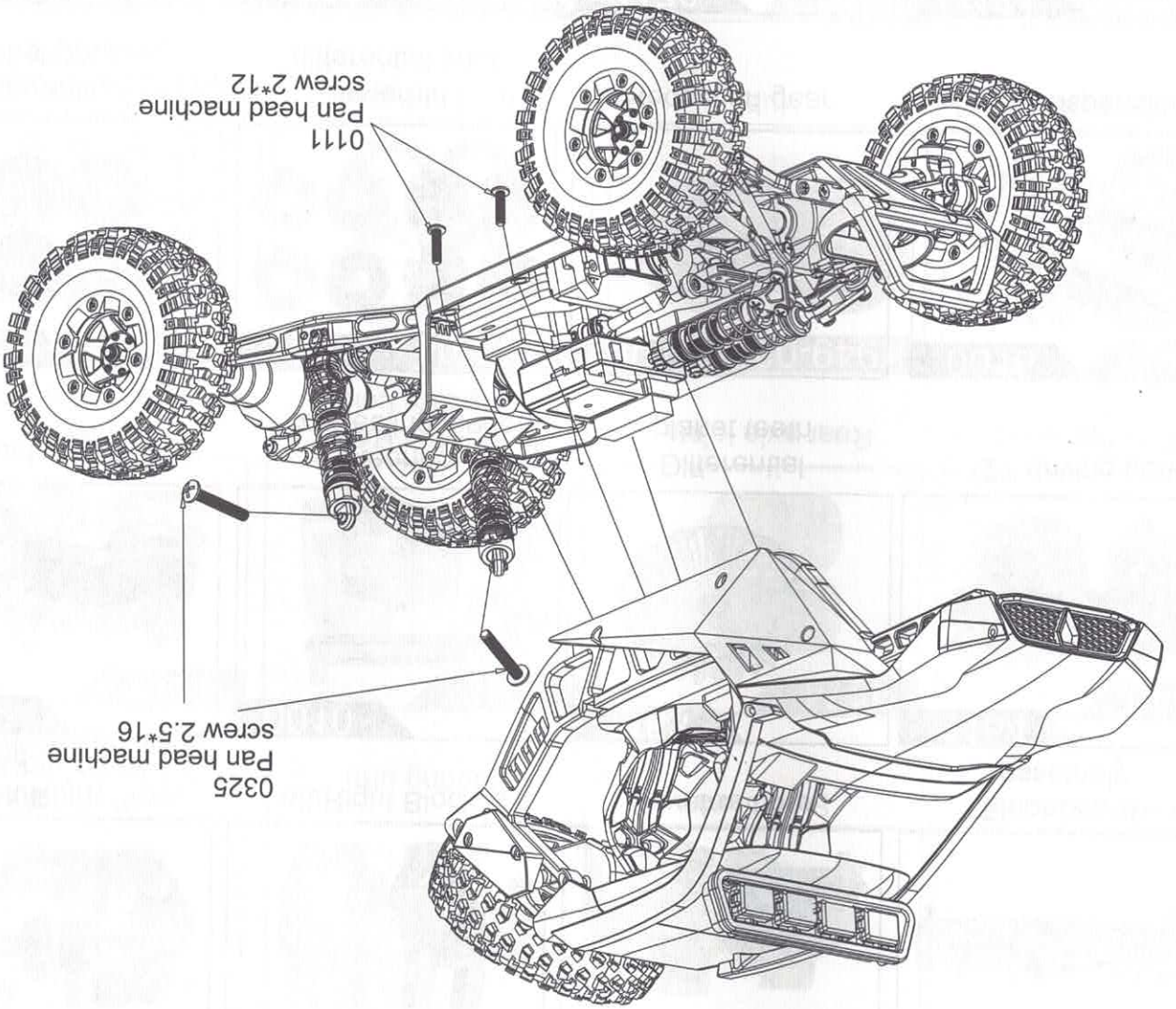






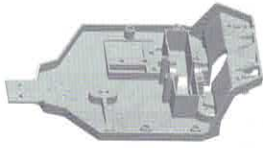






# Sale parts view

0001



Chassis

0002



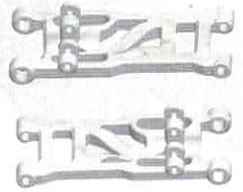
Left rear axle

0003



Right after the bridge

1173



arm

0005



Left/Right steering Cup

0006



Left/Right Block C

0007



Wavefront box

0008



Floor board assembly

0009



Dust cover

0010



Steering connecting piece

1153



Differential planet teeth

1154



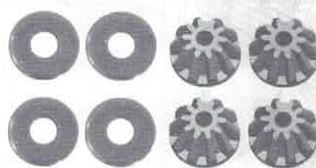
12T driving gear

1155



Differential planet gear

1156



Asterold differential gear

0015



Reduction gear

0016



Front suspension

0017



Rear Shock

0018



Steering rod

1170



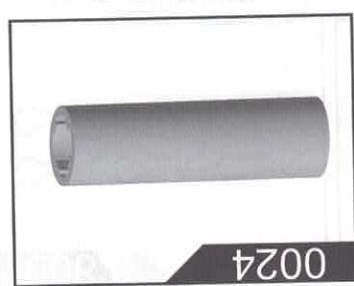
Steering rod

1171



Arm leverA

# Sale parts view



0024

After the shaft sleeve



0039

Left/Right after the bridge lever positioning piece



0043

Left/Right Commutator left



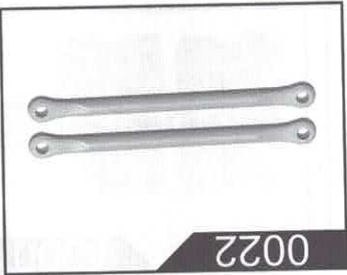
A202-15

Shen head self-propelled screw 2 \* 8



1172

Arm lever B



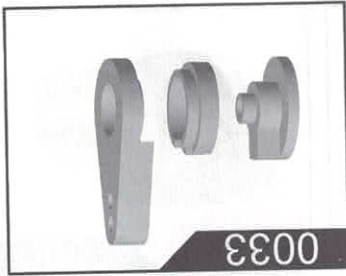
0022

Rear axle rod



0023

After the arm



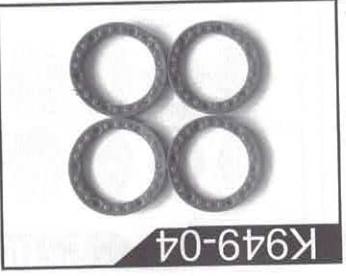
0033

Steering arm



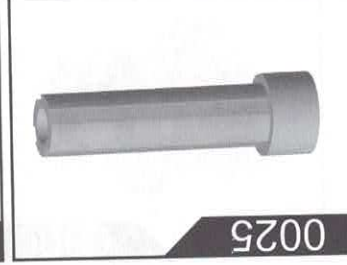
0042

Left/Right Rear swing arm holder



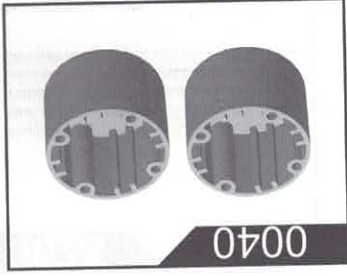
K949-04

Wheel hub cover



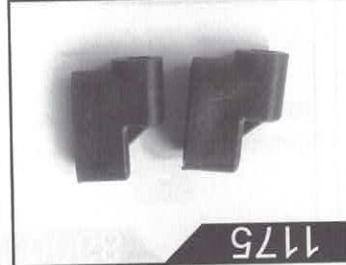
0025

After the drive shaft



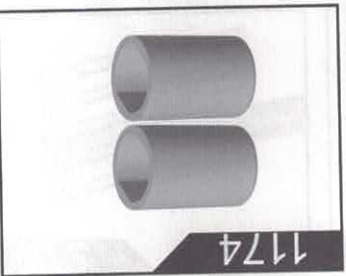
0040

Differential case



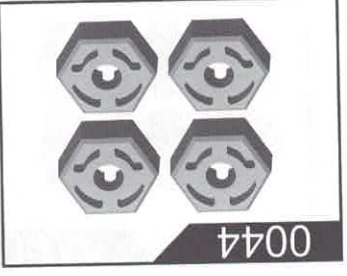
1175

Servo seat



1174

Rear axle joints



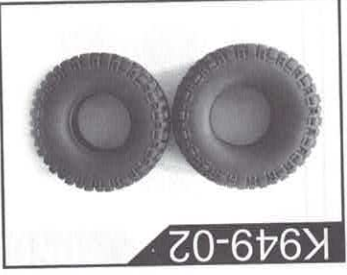
0044

Combiner



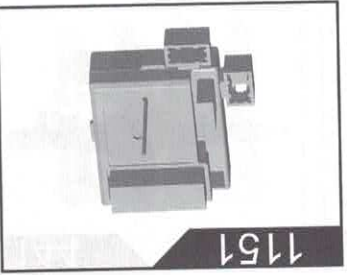
K949-03

Hub



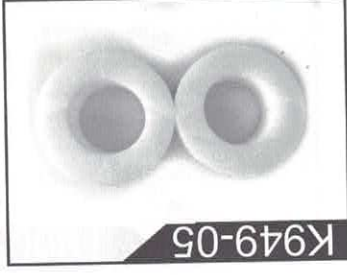
K949-02

Tire



1151

Circuit board



K949-05

Sponge

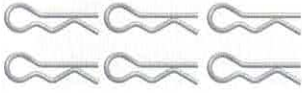


0760

Pan head machine screw M2X6

# Sale parts view

0062



Car shell folder

0063



A swing arm stiffener

0064



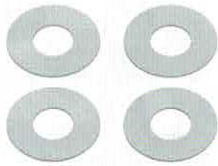
Arm strengthen slice B

0065



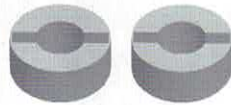
Motor seat

0066



Gasket  
12 \* 5.2 \* 0.2

0067



Shock adjustment ring

0068



Counterweight

0069



M2 \* 4 screws

L959-62



Cross round head tapping screw  
ST2.6x6

K949-94



Cup head hex head machine 2X6HM

0072



Locating Pins

0073



Differential shaft

0074



Ball screws 4.8\*11.5

0075



Ball C

0076



Ball B

0077



Ball A

0078



Axle cup

0079



Universal bushings

1144










Rear drive assembly

0081



Then cup

# Sale parts view

 <p>0085</p>	 <p>0089</p>	 <p>0093</p>	 <p>0097</p>	 <p>0101</p>
 <p>0084</p>	 <p>0088</p>	 <p>0092</p>	 <p>0096</p>	 <p>0100</p>
 <p>0083</p>	 <p>1149</p>	 <p>1148</p>	 <p>0095</p>	 <p>0099</p>
 <p>0082</p>	 <p>0086</p>	 <p>1157</p>	 <p>0094</p>	 <p>0098</p>

# Sale parts view

0102



Pan Head Screw  
M2.5\*10

0103



Pan Head Screw  
M2.5\*12

0104



Pan Head Screw  
M2.5\*14

0105



Pan Head Screw  
M2.5\*16

0106



Pan Head Screw  
M2.5\*20

0107



Pan Head  
Screw M4\*12

0108



Pan Head Screw  
M3\*7

0109



Pan Head Screw  
M2\*8

0111



Pan HeadScrew  
M2\*12

0113



Flat Head Screw  
M2.5\*6

0114



Flat Head Screw  
M2.5\*8

0115



Flat Head Screw  
M2.5\*10

0116



Flat Head Screw  
M2 \* 8

0117



Flat Head Screw  
M3\*8

0118



M2.5 nut

0119



M4 nut

L303-24



3Kg servos

1147



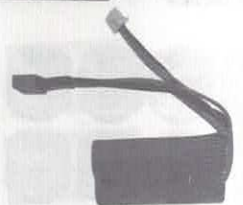
540 Motor

0122



Headlight

0123



Battery



# Sale parts view

146



USB charging wire



Medium plate headband  
M2.5\*8



Then the cup spring

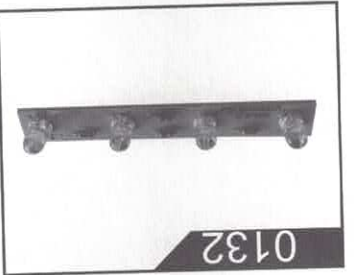


Jiml screws M4 \* 4

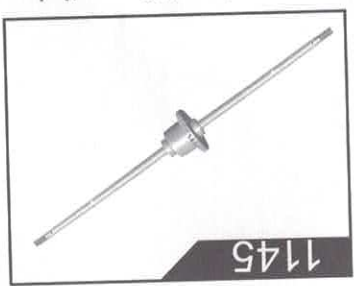
0129



Headband disc  
Screws M2.3\*8



Climbing car headlights



After the differential  
component



Pan head with dielectric  
tooth machine screws  
M2.5 \* 16

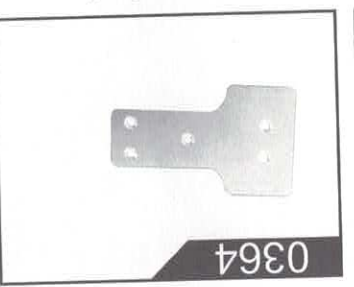
1176



remote control



Pan head screw steps  
M3\*12



Before the bottom  
protection aluminum



Rear drive shaft  
assembly

0477



Rear drive sleeve  
assembly



Central drive shaft  
assembly



Cross round machine  
screw M2\*25



Round head with  
machine teeth flat  
tail screws M2\*10

0781



Cardan shaft cup  
assembly



Cup head hex head  
machine 2X8HM



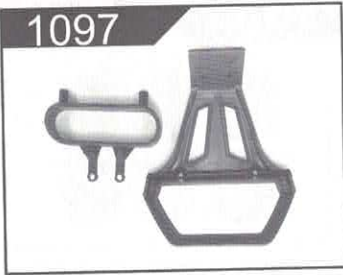
Cross round head  
tapping screw ST 2.3x6



Cross round head  
tapping screw ST 2.3x8

# Sale parts view

1097



Front bumper

1098



Car shell assembly